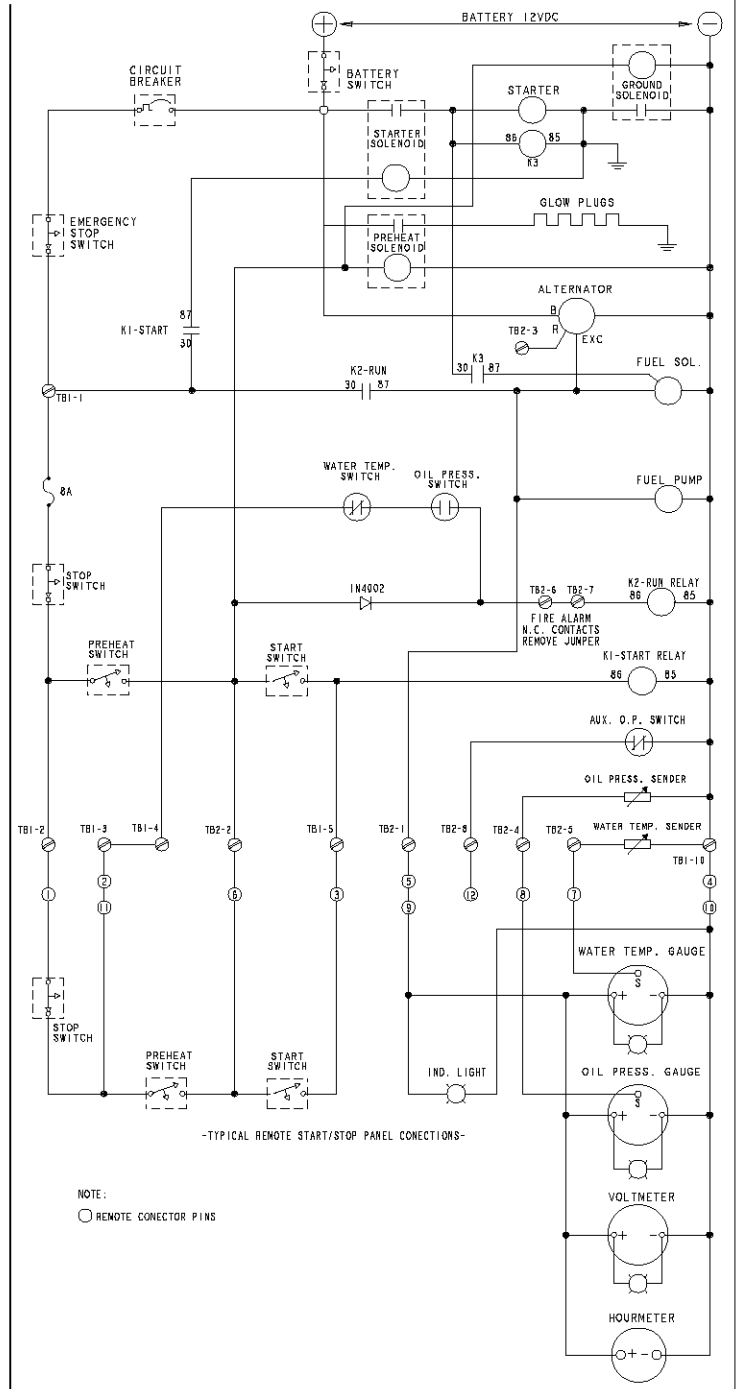
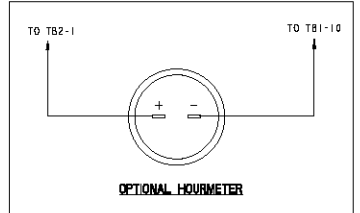
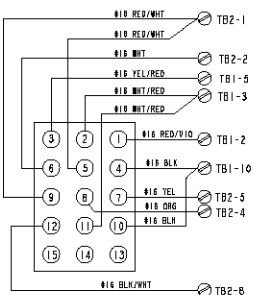


NOTE:
1. REMOVE JUMPER WHEN CONNECTING A SECOND REMOTE PANEL.



NOTE:
○ REMOTE CONNECTOR PINS